



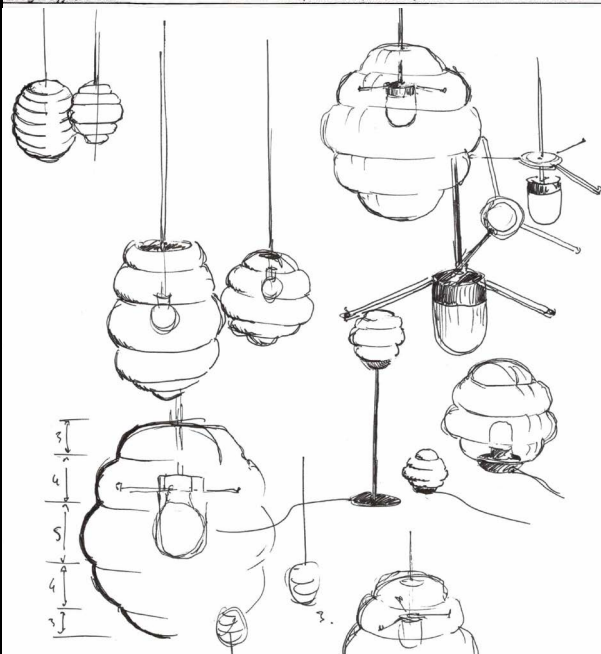
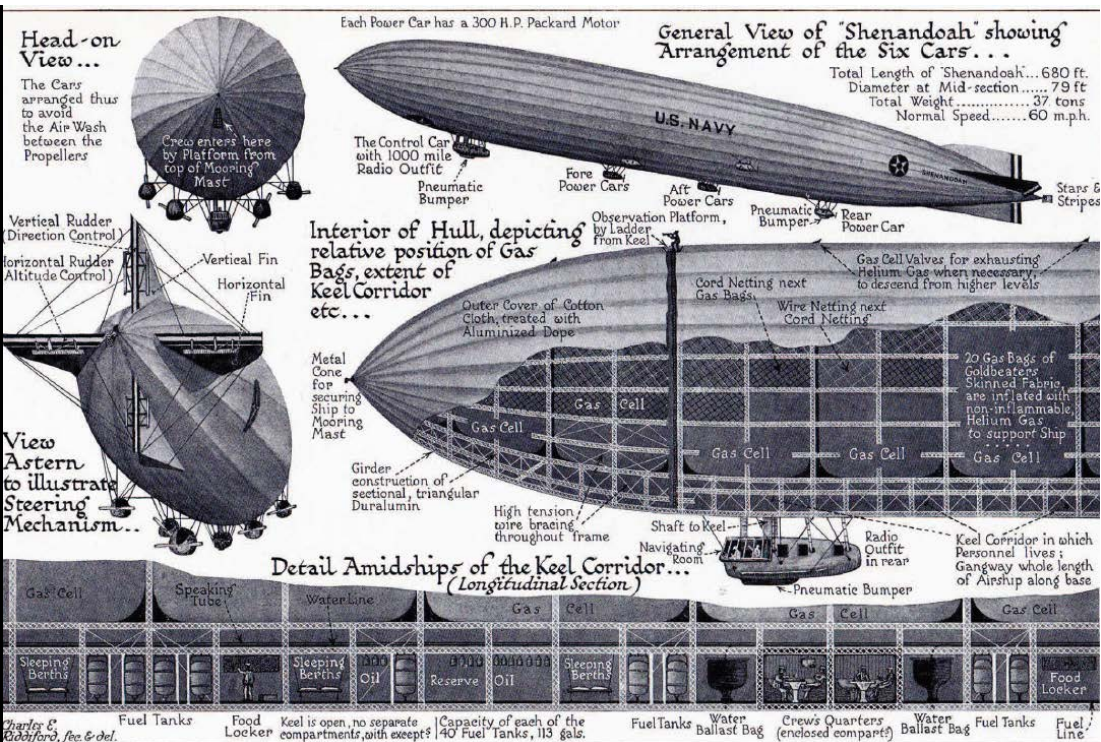
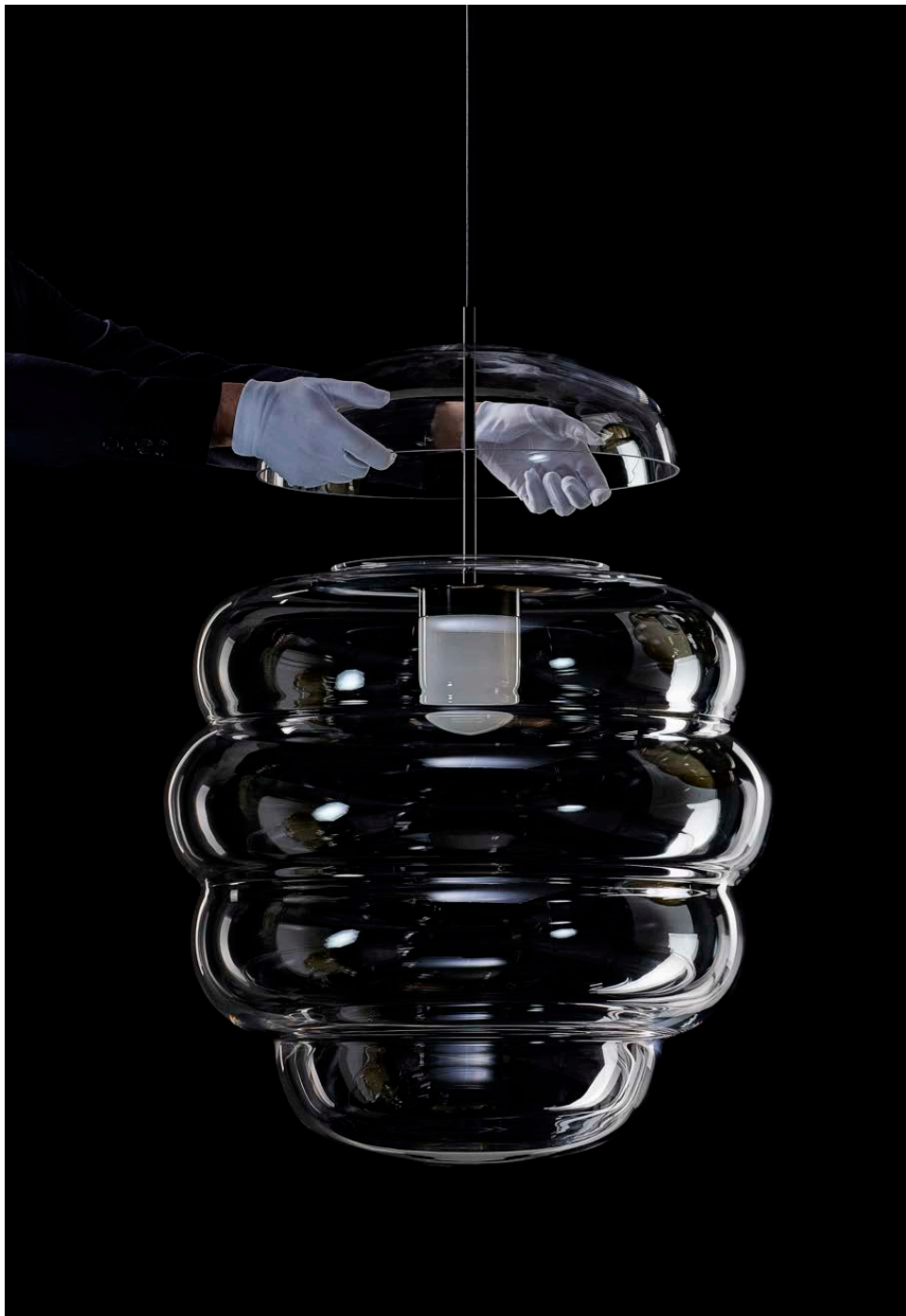
lolimp

loomma





inspiration



BLIMP
The unbearable lightness of glass

This stunning massive crystal cloud floats in space with the lightness of zeppelin. Bomma master glass-makers created Blimp as the largest piece blown into form, at once monumental and airy. This graceful giant is a testament to human ingenuity and craftsmanship.

Design by BIG-GAME Studio

production





projects



BOMMA catalogue, 2021



BOMMA Atelier, Prague, 2021



EuroLuce 2023, Milan



TON catalog, Czechia



concept of the space by Flatwhite architects



Visualization by AR visuals



Crestyl showroom, Prague, 2019



TON catalogue, Czech Republic, 2018



ZAN studio visualization

Highlight by LEMARKET, Prague, 2019

options



clear glass
black fitting



clear glass
black fitting



clear glass
black fitting

pendant

Glass options: clear, amber
Fitting options: black



amber glass
black fitting



amber glass
black fitting



amber glass
black fitting

pendant

Glass options: clear, amber
Fitting options: black



clear glass
black fitting



clear glass
black fitting



clear glass
black fitting

floor

Glass options: clear, amber
Fitting options: black



amber glass
black fitting



amber glass
black fitting



amber glass
black fitting

floor

Glass options: clear, amber
Fitting options: black



clear glass
black fitting



amber glass
black fitting

wall&ceiling

Glass options: clear, smoke
Fitting options: black

bomma

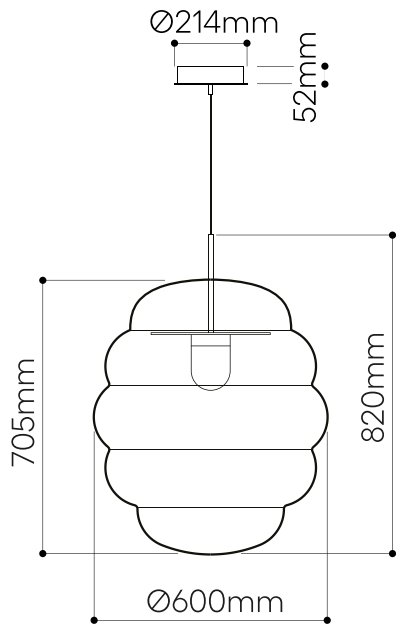
technical informations

BLIMP pendant large

Design by
Big-Game

Handmade glass attributes

All Bomma products are hand-made from mouth-blown lead-free crystal. Therefore any small bubbles, non-melts and irregularities in the glass are both proof and a characteristic feature of this traditional craft.



LIGHTING DESCRIPTION

Size	dia. 600 mm, H 820 mm dia. 23,6 inch, H 32,3 inch
Cable	black textile braid cable 2,5 m / 98,4 inch
Weight	+/- 24 kg / 52,8 lb
Glass	mouth-blown lead-free crystal in clear and amber
Mounting	black (aluminium black elox / steel with black powder coating)
Protection	IP 20
Nominal voltage	220-240V / A.C. 50-60 hz (EU) 110-120 V / A.C. 60 Hz (USA)
Class	I. EU / I. USA

LIGHT SOURCE

Type	LED module 24,5W, 2450lm, 700mA
Base	custom LED module
Voltage	220-240V, AC (EU) / 110-120V, AC (USA)
Temperature	2700 K
Color index	RA 90+
Dimming	Dimmable with TRIAC, ELV, 0-10V, PUSH, DALI, CASSAMBI

PACKAGING

Material	Cardboard
Size	670 × 670 × 950 mm 26,4 × 26,4 × 37,4 inch

Origin: traditionally produced in the Czech Republic
Intellectual property license holder: Bomma Czech Republic (EU)
Represented by BMRC group s.r.o.

CERTIFICATES



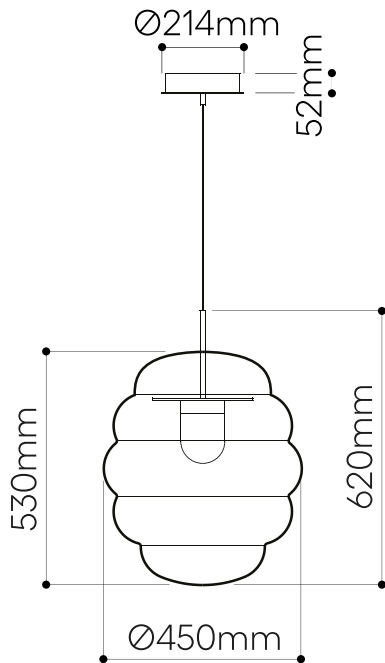
bomma

BLIMP pendant medium

Design by
Big-Game

Handmade glass attributes

All Bomma products are hand-made from mouth-blown lead-free crystal. Therefore any small bubbles, non-melts and irregularities in the glass are both proof and a characteristic feature of this traditional craft.



LIGHTING DESCRIPTION

Size	dia. 450 mm, H 620 mm dia. 17,7 inch, H 24,4 inch
Cable	black textile braid cable 2,5 m / 98,4 inch
Weight	+/- 16,5 kg / 36,3 lb
Glass	mouth-blown lead-free crystal in clear and amber
Mounting	black (aluminium black elox / steel with black powder coating)
Protection	IP 20
Nominal voltage	220-240V / A.C. 50-60 hz (EU) 110-120 V / A.C. 60 Hz (USA)
Class	I. EU / I. USA

LIGHT SOURCE

Type	LED module 24,5W, 2450lm, 700mA
Base	custom LED module
Voltage	220-240V, AC (EU) / 110-120V, AC (USA)
Temperature	2700 K
Color index	RA 90+
Dimming	Dimmable with TRIAC, ELV, 0-10V, PUSH, DALI, CASSAMBI

PACKAGING

Material	Cardboard
Size	660 × 660 × 780 mm 26 × 26 × 30,7 inch

Origin: traditionally produced in the Czech Republic
Intellectual property license holder: Bomma Czech Republic (EU)
Represented by BMRC group s.r.o.

CERTIFICATES



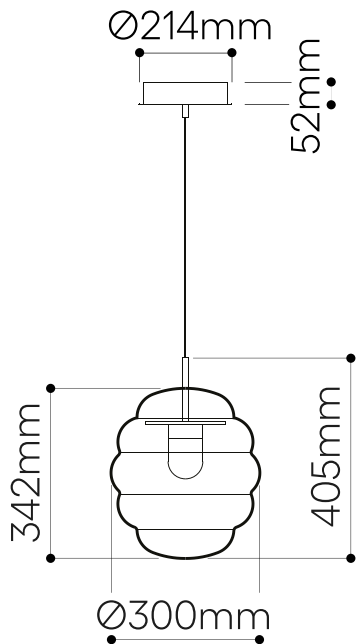
bomma

BLIMP pendant small

Design by
Big-Game

Handmade glass attributes

All Bomma products are hand-made from mouth-blown lead-free crystal. Therefore any small bubbles, non-melts and irregularities in the glass are both proof and a characteristic feature of this traditional craft.



LIGHTING DESCRIPTION

Size	dia 300 mm, H 405 mm dia 11,8 inch, H 15,9 inch
Cable	black textile braid cable 2,5 m / 98,4 inch
Weight	+/- 8,1 kg / 17,8 lb
Glass	mouth-blown lead-free crystal in clear and amber
Mounting	black (aluminium black elox / steel with black powder coating)
Protection	IP 20
Nominal voltage	220-240V / A.C. 50-60 hz (EU) 110-120 V / A.C. 60 Hz (USA)
Class	I. EU / I. USA

LIGHT SOURCE

Type	LED module 12,6W, 2450lm, 350mA
Base	custom LED module
Voltage	220-240V, AC (EU) / 110-120V, AC (USA)
Temperature	2700 K
Color index	RA 90+
Dimming	Dimmable with TRIAC, ELV, 0-10V, PUSH, DALI, CASSAMBI

PACKAGING

Material	Cardboard
Size	420 × 420 × 490 mm 16,5 × 16,5 × 19,3 inch

Origin: traditionally produced in the Czech Republic
Intellectual property license holder: Bomma Czech Republic (EU)
Represented by BMRC group s.r.o.

CERTIFICATES



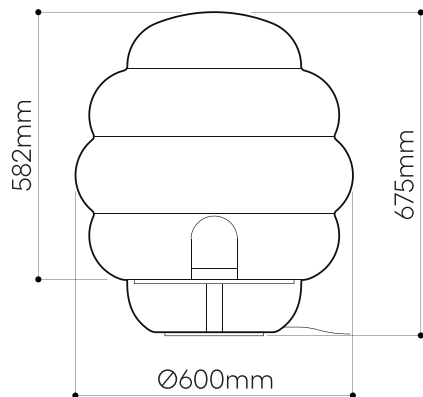
bomma

BLIMP floor lamp large

Design by
Big-Game

Handmade glass attributes

All Bomma products are hand-made from mouth-blown lead-free crystal. Therefore any small bubbles, non-melts and irregularities in the glass are both proof and a characteristic feature of this traditional craft.



LIGHTING DESCRIPTION

Size	dia. 600 mm, H 675 mm dia. 23,6 inch, H 26,57 inch
Cable	black textile braid cable 1,8 m / 70,8 inch
Weight	+/- 38,5 kg / 84,7 lb
Glass	mouth-blown lead-free crystal in clear and amber
Mounting	black (aluminium black elox / steel with black powder coating)
Protection	IP 20
Nominal voltage	220-240V / A.C. 50-60 hz (EU) 110-120 V / A.C. 60 Hz (USA)
Class	I. EU / I. USA

LIGHT SOURCE

Type	LED module 24,5W, 2450lm, 700mA
Base	custom LED module
Voltage	220-240V, AC (EU) / 110-120V, AC (USA)
Temperature	2700 K
Color index	RA 90+
Dimming	Dimmable with TRIAC, ELV, 0-10V, PUSH, DALI, CASSAMBI

PACKAGING

Material	Cardboard
Size	670 × 670 × 950 mm 26,4 × 26,4 × 37,4 inch

Origin: traditionally produced in the Czech Republic
Intellectual property license holder: Bomma Czech Republic (EU)
Represented by BMRC group s.r.o.

CERTIFICATES



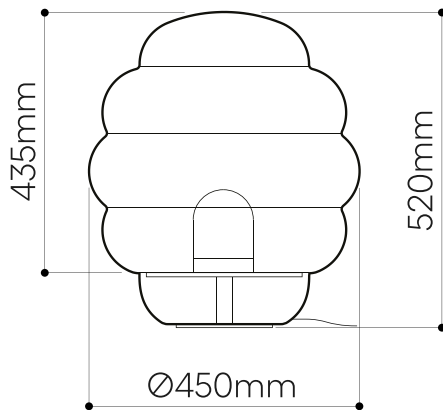
bomma

BLIMP floor lamp medium

Design by
Big-Game

Handmade glass attributes

All Bomma products are hand-made from mouth-blown lead-free crystal. Therefore any small bubbles, non-melts and irregularities in the glass are both proof and a characteristic feature of this traditional craft.



LIGHTING DESCRIPTION

Size	dia. 450 mm, H 520 mm dia. 17,7 inch, H 20,5 inch
Cable	black textile braid cable 1,8 m / 70,8 inch
Weight	+/- 20,5 kg / 45,1 lb
Glass	mouth-blown lead-free crystal in clear and amber
Mounting	black (aluminium black elox / steel with black powder coating)
Protection	IP 20
Nominal voltage	220-240V / A.C. 50-60 hz (EU) 110-120 V / A.C. 60 Hz (USA)
Class	I. EU / I. USA

LIGHT SOURCE

Type	LED module 24,5W, 2450lm, 700mA
Base	custom LED module
Voltage	220-240V, AC (EU) / 110-120V, AC (USA)
Temperature	2700 K
Color index	RA 90+
Dimming	Dimmable with TRIAC, ELV, 0-10V, PUSH, DALI, CASSAMBI

PACKAGING

Material	Cardboard
Size	660 × 660 × 780 mm 26 × 26 × 30,7 inch

Origin: traditionally produced in the Czech Republic
Intellectual property license holder: Bomma Czech Republic (EU)
Represented by BMRC group s.r.o.

CERTIFICATES



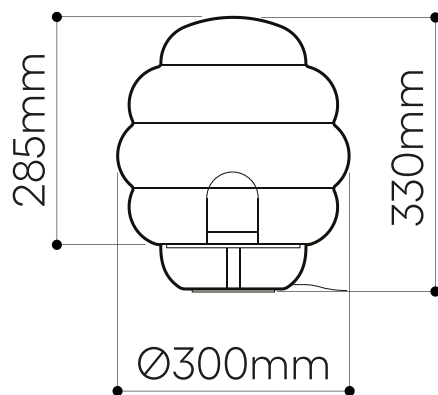
bomma

BLIMP floor lamp small

Design by
Big-Game

Handmade glass attributes

All Bomma products are hand-made from mouth-blown lead-free crystal. Therefore any small bubbles, non-melts and irregularities in the glass are both proof and a characteristic feature of this traditional craft.



LIGHTING DESCRIPTION

Size	dia. 300 mm, H 330 mm dia. 11,8 inch, H 13 inch
Cable	black textile braid cable 1,8 m / 70,8 inch
Weight	+/- 6,3 kg / 13,9 lb
Glass	mouth-blown lead-free crystal in clear and amber
Mounting	black (aluminium black elox / steel with black powder coating)
Protection	IP 20
Nominal voltage	220-240V / A.C. 50-60 hz (EU) 110-120 V / A.C. 60 Hz (USA)
Class	I. EU / I. USA

LIGHT SOURCE

Type	LED module 12,6W, 2450lm, 350mA
Base	custom LED module
Voltage	220-240V, AC (EU) / 110-120V, AC (USA)
Temperature	2700 K
Color index	RA 90+
Dimming	Dimmable with TRIAC, ELV, 0-10V, PUSH, DALI, CASSAMBI

PACKAGING

Material	Cardboard
Size	420 × 420 × 490 mm 16,5 × 16,5 × 19,3 inch

Origin: traditionally produced in the Czech Republic
Intellectual property license holder: Bomma Czech Republic (EU)
Represented by BMRC group s.r.o.

CERTIFICATES



bomma

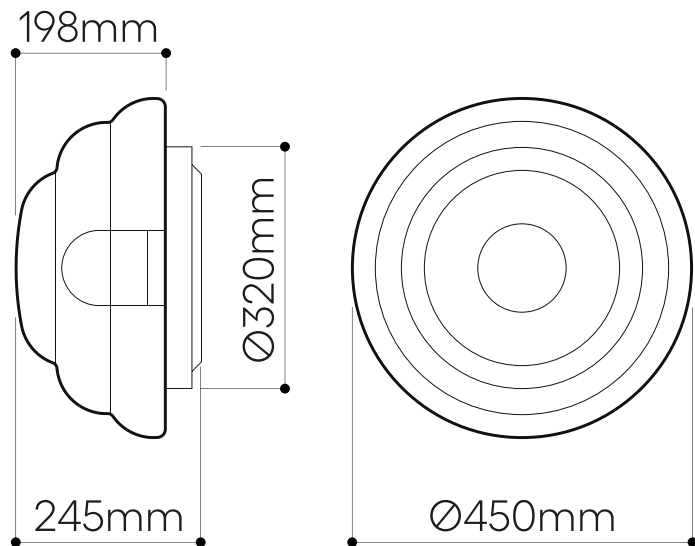
BLIMP

wall & ceiling lighting

Design by
Big-Game

Handmade glass attributes

All Bomma products are hand-made from mouth-blown lead-free crystal. Therefore any small bubbles, non-melts and irregularities in the glass are both proof and a characteristic feature of this traditional craft.



LIGHTING DESCRIPTION

Size	dia. 450 mm, H 245 mm dia. 17,7 inch, H 9,6 inch
Weight	+/- 7,2 kg / 15,8 lb
Glass	mouth-blown lead-free crystal in clear and amber
Mounting	black (aluminium black elox / steel with black powder coating)
Protection	IP 20
Nominal voltage	220-240V / A.C. 50-60 hz (EU) 110-120 V / A.C. 60 Hz (USA)
Class	I. EU / I. USA

LIGHT SOURCE

Type	LED module 24,5W, 2450lm, 700mA
Base	custom LED module
Voltage	220-240V, AC (EU) / 110-120V, AC (USA)
Temperature	2700 K
Color index	RA 90+
Dimming	Dimmable with TRIAC, ELV, 0-10V, PUSH, DALI, CASSAMBI

PACKAGING

Material	Cardboard
Size	535 × 535 × 530 mm 21 × 21 × 20,8 inch

Origin: traditionally produced in the Czech Republic
Intellectual property license holder: Bomma Czech Republic (EU)
Represented by BMRC group s.r.o.

CERTIFICATES



bomma

BMRC Group s.r.o.
Hvězdova 1716/2b,
Prague 4, 140 00,
Czech Republic

info@bomma.cz

step beyond